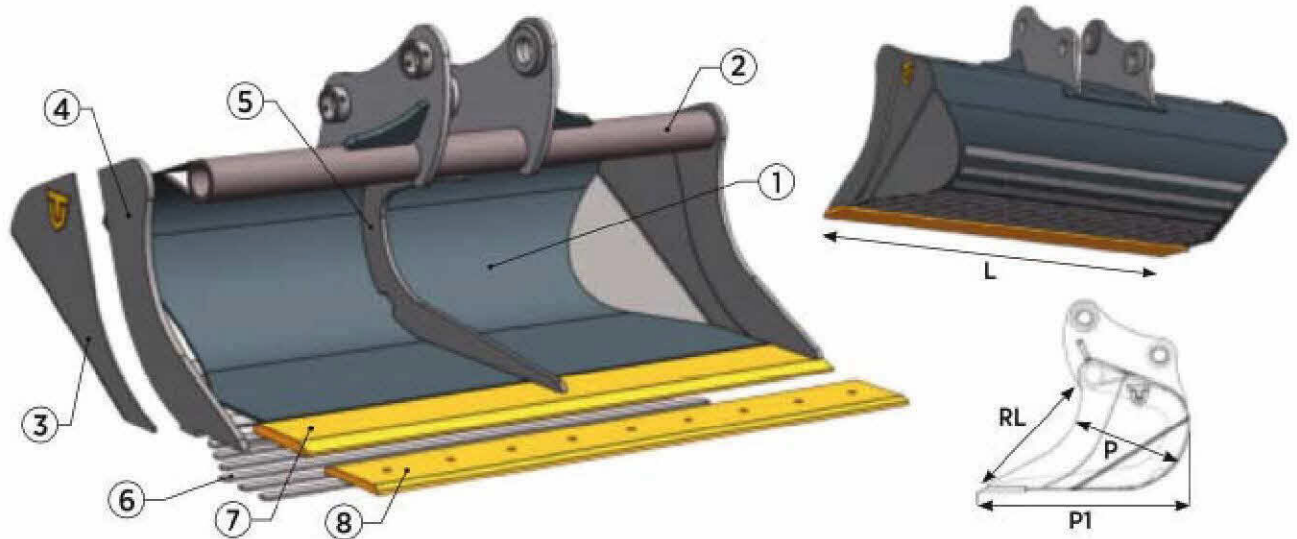


BENNA PULIZIA FOSSI PROFILO LEVELLING per escavatori
DITCH CLEANING BUCKET LEVELLING PROFILE - GODET CURAGE PROFIL LEVELLING



Classe Class	Codice Code	L mm.	Cap. SAE Lt.	Peso Kg. Weight	RL mm.	P mm.	P1 mm.
T.65 19 - 23 ton	WLB065-160	1600	902	574	849	610	1180
	WLB065-170	1700	965	609			
	WLB065-180	1800	1028	645			
	WLB065-190	1900	1091	681			
	WLB065-200	2000	1155	717			
	WLB065-210	2100	1250	744			
		1	2	3	4	5	6
Materiale	Material	S355	S355	S355	S355	S355	S355
Spessore	Thickness	8 mm	127 x 14,2 mm	8 mm	25 mm	20 mm	10 mm

Classe Class	Codice Code	L mm.	Cap. SAE Lt.	Peso Kg. Weight	RL mm.	P mm.	P1 mm.
T.66 23 - 26 ton	WLB066-170	1700	1190	774	956	668	1310
	WLB066-180	1800	1270	820			
	WLB066-190	1900	1349	865			
	WLB066-200	2000	1428	911			
	WLB066-210	2100	1508	956			
		1	2	3	4	5	6
Materiale	Material	S355	S355	S355	S355	S355	S355
Spessore	Thickness	8 mm	152,4 x 16 mm	8 mm	25 mm	25 mm	12 mm

